

**RL-70/40**

**LED ring illumination**

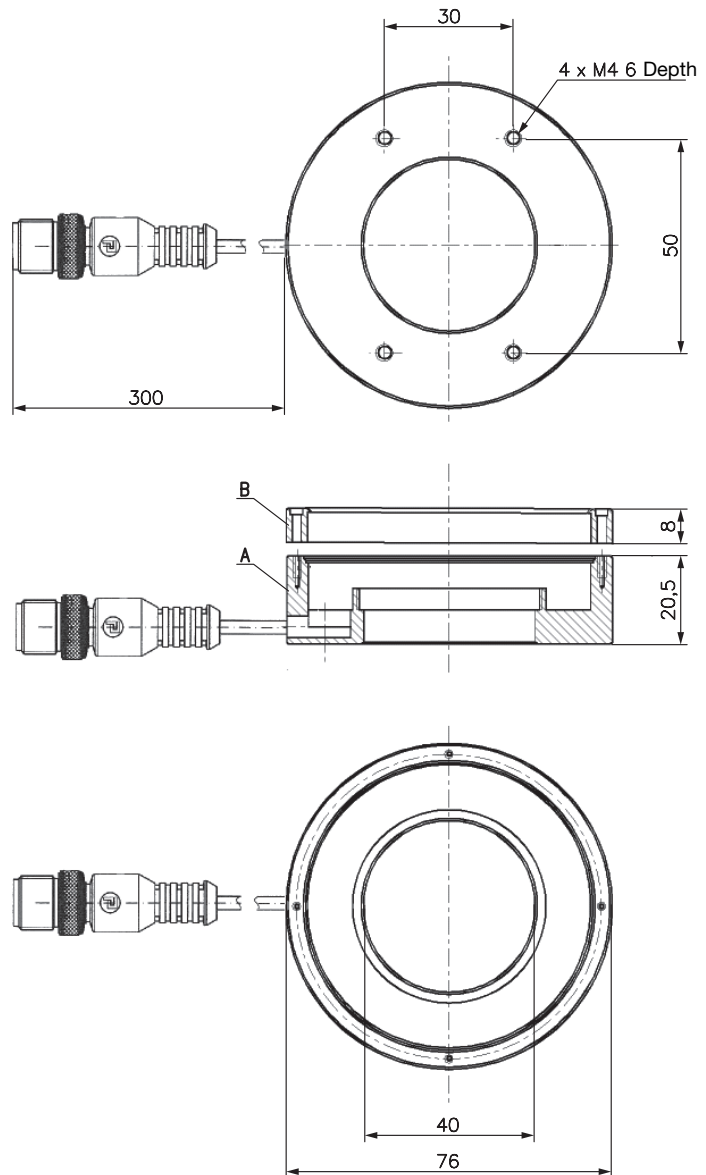
en 01-2016/01 50132559



18 - 30 V  
**DC**

- LED ring light illumination with red light
- Directional or diffuse light through removable, optional diffusing plate made of glass
- Light field outer Ø: 70mm; inner Ø: 40mm
- Aluminum housing, black
- Fastening: 4x M4
- Without fan, long life expectancy

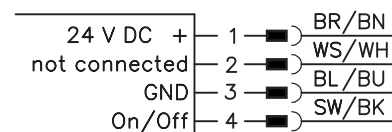
**Dimensioned drawing**



- A** LED ring illumination
- B** Diffusing plate (optional accessory)

**Electrical connection**

M12x1 connector, 4-pin, A coded



**Accessories:**

(available separately)

- Diffusing plate AC-RL-70/40-Diff (part no. 50132562), tool and four M2 x 8 screws included in delivery

We reserve the right to make changes • DS\_Accessory\_RL70\_40\_en\_50132559.fm

### Technical data

#### Optical data

Light color red, wavelength 617 nm  
 Illumination duration (flash time)  $t_B$  50  $\mu$ s ...  $\infty$   
 Risk group (acc. to DIN EN 62471:2008) exempt group

#### Electrical data

Operating voltage 18 ... 30VDC  
 Operating current 0.4A  
 Activation input On/Off activation: high level +5 ... +24VDC  
 deactivation: low level 0 ... +3VDC  
 Impulse duration on activation  $t_{t\ min}$   $\geq$  50  $\mu$ s (impulse duration = illumination duration)  
 Start-up delay  $t_{BV}$  approx. 15  $\mu$ s with +10VDC high level

#### Mechanical data

Housing aluminum, black  
 Fastening four M4 threaded holes, 6 mm deep  
 Connection type M12x1 connector, 4-pin, A coded

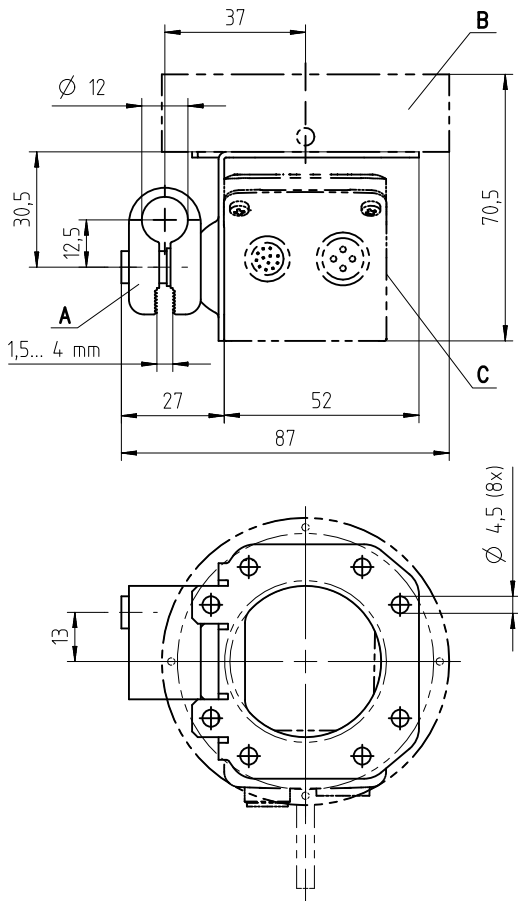
#### Environmental data

Ambient temp. (operation/storage) <sup>1)</sup> -10 °C ... +55 °C / -25 °C ... +75 °C  
 Degree of protection IP 54

1) Also applies for / in operation with the ACC-RL-70/40-Diff diffusing plate

### Mounting accessories

#### BTU 320M-D12-RL70



- A BTU 320M-D12-RL70
- B RL-70/40
- C DCR 200i

### Order guide

	Designation	Part no.
<b>LED ring illumination, 300 mm cable with M12 connector, 4-pin</b>		
Red light LEDs	RL-70/40r-003-M12	50132511
<b>Accessories</b>		
Diffusing plate, glass, incl. tool and four M2 x 8 screws	AC-RL-70/40-Diff	50132562
Mounting system for $\varnothing$ 12mm rod mounting	BTU 320M-D12-RL70	50132453

### Mounting

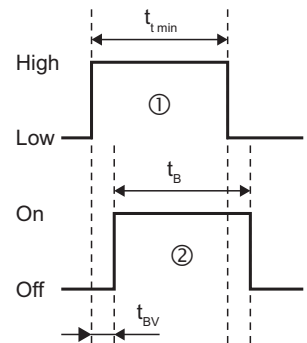


#### ATTENTION

For continuous operation in excess of 5 hours and/or an ambient temperature higher than 35 °C, the ring illumination must be thermally mounted on a heat sink for heat dissipation.

The ring illumination automatically switches off if a housing temperature of 65 °C is reached. In the case of continuous operation, the light automatically switches back on again after it has cooled.

### Diagrams



- ① Activation input
- ② Illumination (flash)

### Remarks

Observe intended use!
⚠ The product may only be put into operation by competent persons.
⚠ Only use the product in accordance with the intended use.